

TOSHIBA BIPOLAR LINEAR INTEGRATED CIRCUIT SILICON MONOLITHIC

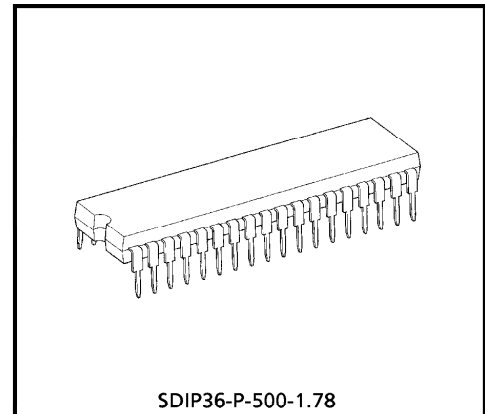
TA1219AN

AUDIO / VIDEO SWITCHING IC FOR TVs

The TA1219AN is an audio / video switching IC for TV sets.

Conforming to I²C bus standards, it allows you to perform various switching operations through the bus lines by using a microcomputer. Furthermore, since the presence of a signal on its sync signal output pin can be determined by a microcomputer, it is possible to check each input/output channel (self-diagnosis).

This IC has the same pin assignments as the TA1218AN (SDIP42), a 2-channel output version of the TA1219AN, so these chips are pin compatible on pins 3 to 20 and 23 to 40 in TA1218AN.



SDIP36-P-500-1.78

Weight : 2.98g (Typ.)

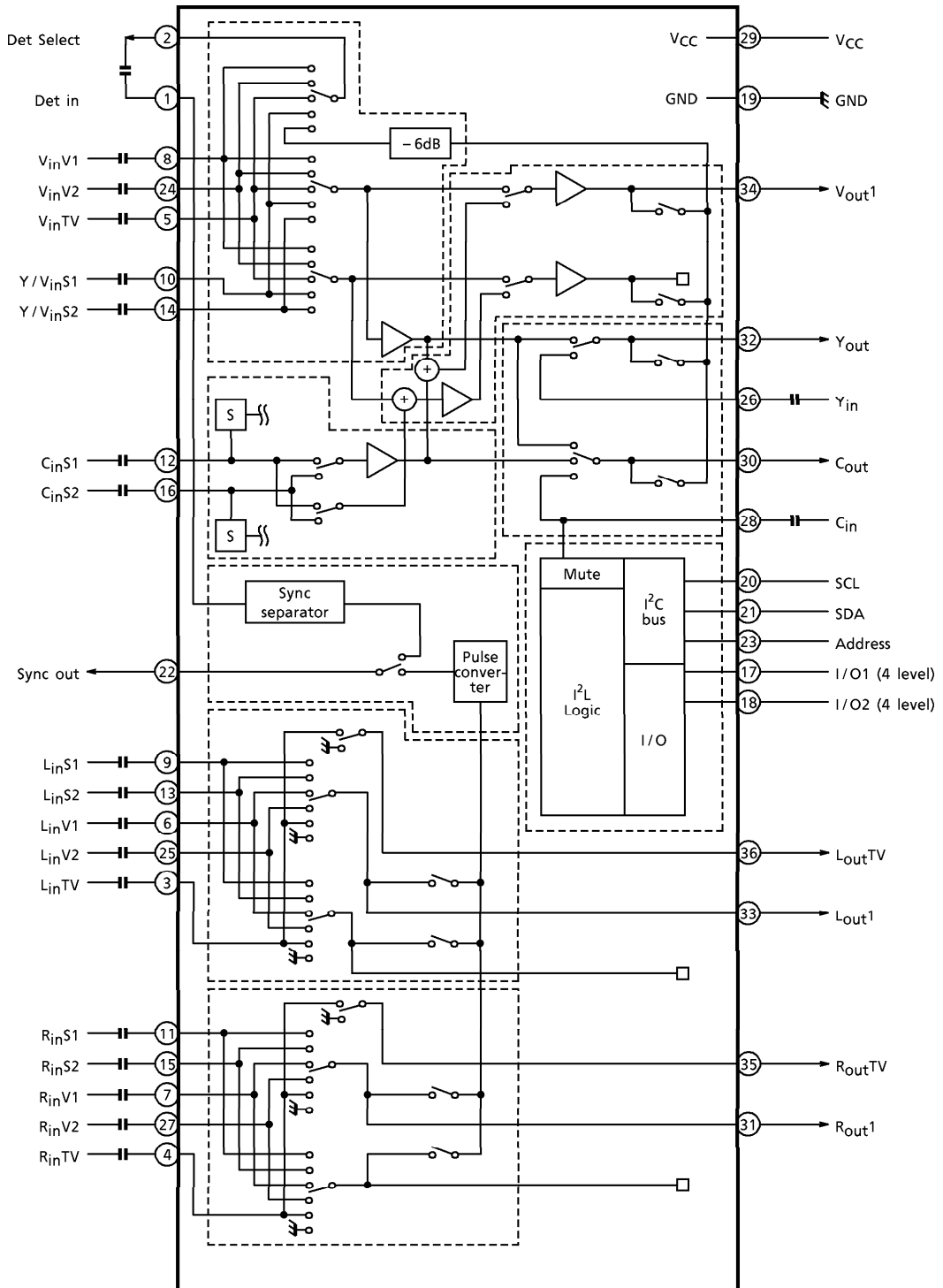
FEATURES

- I²C bus control
- Video : 5-channel inputs and 1-channel outputs (2 channels conforming to S system)
- Audio: 5-channel inputs and 2-channel outputs
- Self-diagnostic function
- ADC inputs based on European 21-pin standards
- ADC inputs based on S1/S2 terminal standards
- Switchable subaddress

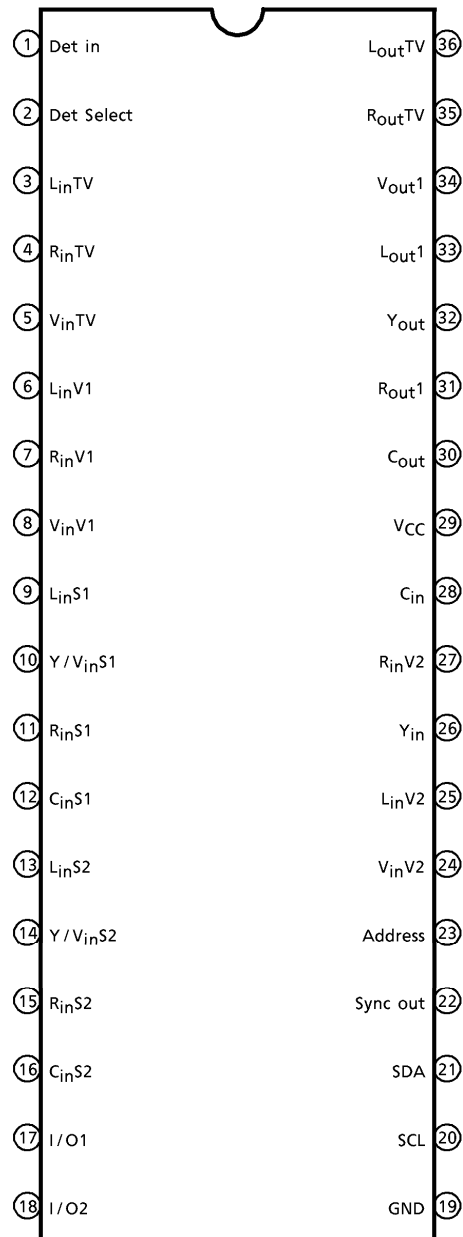
961001EBA1

- TOSHIBA is continually working to improve the quality and the reliability of its products. Nevertheless, semiconductor devices in general can malfunction or fail due to their inherent electrical sensitivity and vulnerability to physical stress. It is the responsibility of the buyer, when utilizing TOSHIBA products, to observe standards of safety, and to avoid situations in which a malfunction or failure of a TOSHIBA product could cause loss of human life, bodily injury or damage to property. In developing your designs, please ensure that TOSHIBA products are used within specified operating ranges as set forth in the most recent products specifications. Also, please keep in mind the precautions and conditions set forth in the TOSHIBA Semiconductor Reliability Handbook.
- The products described in this document are subject to foreign exchange and foreign trade control laws.
- The information contained herein is presented only as a guide for the applications of our products. No responsibility is assumed by TOSHIBA CORPORATION for any infringements of intellectual property or other rights of the third parties which may result from its use. No license is granted by implication or otherwise under any intellectual property or other rights of TOSHIBA CORPORATION or others.
- The information contained herein is subject to change without notice.

BLOCK DIAGRAM

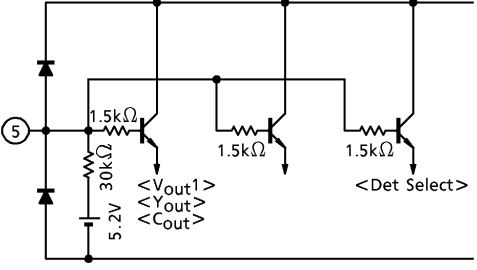
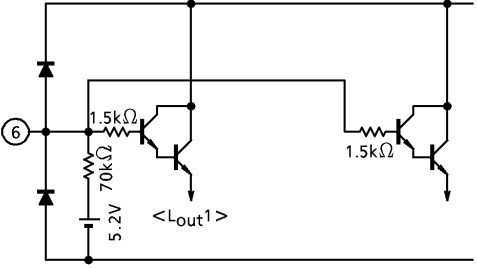
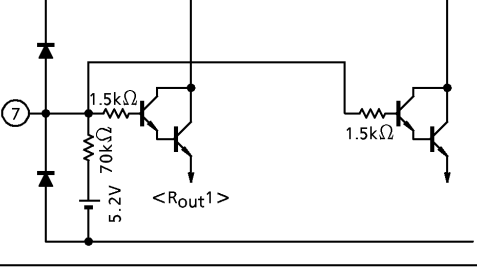
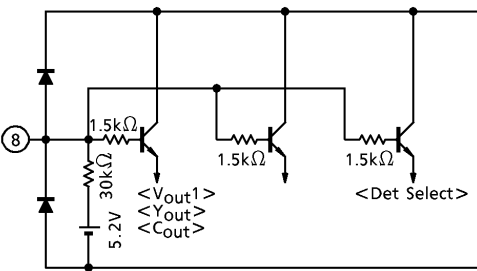


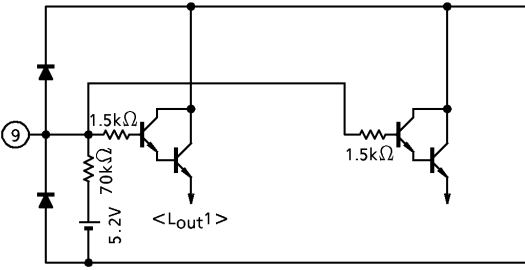
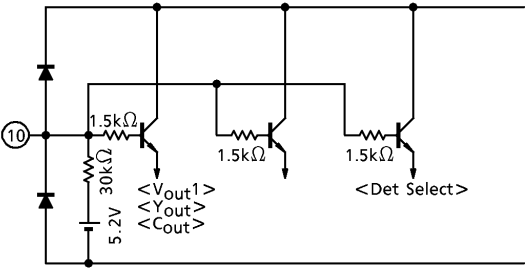
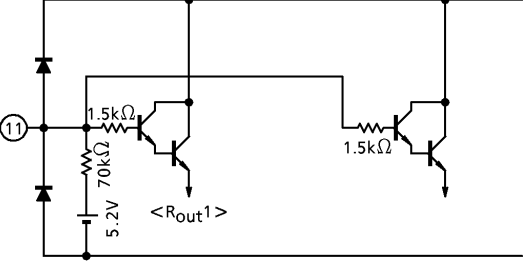
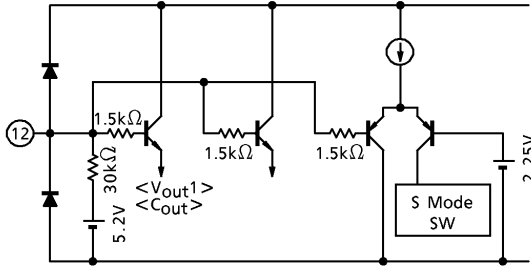
PIN ASSIGNMENT



PIN DESCRIPTION

PIN No.	NAME	FUNCTION	INTERFACE CIRCUIT
1	Det in	<p>This pin is for input a sync separation signal. Input the signal from Det Select to this pin with capacitance coupling. The input resistance of this pin is 18kΩ.</p> <p>The sync signal separated from Det Select is outputted from Sync Out for use in self-diagnosis.</p>	
2	Det Select	<p>This pin is for output a sync separation signal.</p> <p>Signals V_{inV1}, V_{inV2}, V_{inTV}, Y/V_{inS1}, V_{out1}, Y_{out} or C_{out} are outputted from this pin. The output resistance of this pin is 35Ω.</p> <p>Input the signal from this pin to Det in with capacitance coupling.</p>	
3	L_{inTV}	<p>This pin is for input a left audio signal from the main demodulator in the TV set. The signal fed into this pin is presented to L_{outTV} and L_{out1}.</p> <p>The input dynamic range of this pin is 6.5V_{p-p} and the input resistance is 70kΩ.</p>	
4	R_{inTV}	<p>This pin is for input a right audio signal from the main demodulator in the TV set. The signal fed into this pin is presented to R_{outTV} and R_{out1}.</p> <p>The input dynamic range of this pin is 6.5V_{p-p} and the input resistance is 70kΩ.</p>	

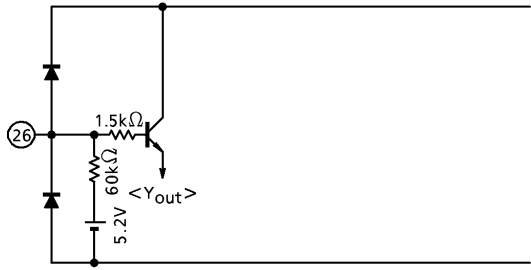
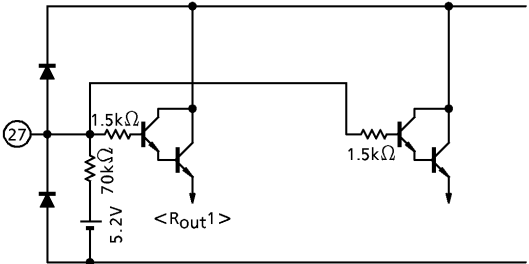
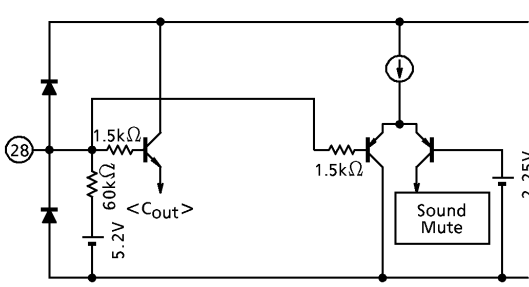
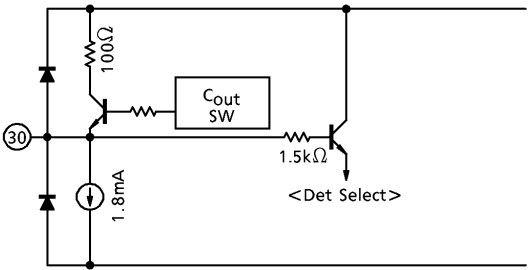
PIN No.	NAME	FUNCTION	INTERFACE CIRCUIT
5	V_{inTV}	<p>This pin is for input a composite audio signal from the main demodulator in the TV set. The signal fed into this pin is presented to V_{out1}, Y_{out} and C_{out}. The same signal is also output from Det Select as a sync separation signal. The input dynamic range of this pin is $2.0V_{p-p}$ and the input resistance is $30k\Omega$.</p>	
6	L_{inV1}	<p>This pin is for input a left audio signal from an external source (V1 channel). This pin can also be used for PIP signal input. The signal fed into this pin is presented to L_{out1}. The input dynamic range of this pin is $6.5V_{p-p}$ and the input resistance is 70Ω.</p>	
7	R_{inV1}	<p>This pin is for input a right audio signal from an external source (V1 channel). This pin can also be used for PIP signal input. The signal fed into this pin is presented to R_{out1}. The input dynamic range of this pin is $6.5V_{p-p}$ and the input resistance is $70k\Omega$.</p>	
8	V_{inV1}	<p>This pin is for input a composite video signal from an external source (V1 channel). This pin can also be used for PIP signal input. The signal fed into this pin is presented to V_{out1}, Y_{out} and C_{out}. The same signal is also output from Det Select as a sync separation signal. The input dynamic range of this pin is $2.0V_{p-p}$ and the input resistance is $30k\Omega$.</p>	

PIN No.	NAME	FUNCTION	INTERFACE CIRCUIT
9	L _{in} S1	<p>This pin is for input a left audio signal from an external source (S1 channel). The signal fed into this pin is presented to L_{out}1.</p> <p>The input dynamic range of this pin is 6.5V_{p-p} and the input resistance is 70kΩ.</p>	
10	Y/V _{in} S1	<p>This pin is for input a luminance signal or composite video signal from an external source (S1 channel). The signal fed into this pin is presented to V_{out}1, Y_{out} and C_{out}. The same signal is also output from Det Select as a sync separation signal.</p> <p>The input dynamic range of this pin is 2.0V_{p-p} and the input resistance is 30kΩ.</p>	
11	R _{in} S1	<p>This pin is for input a right audio signal from an external source (S1 channel). The signal fed into this pin is presented to R_{out}1.</p> <p>The input dynamic range of this pin is 6.5V_{p-p} and the input resistance is 70kΩ.</p>	
12	C _{in} S1	<p>This pin is for input a chroma signal from an external source (S1 channel). It also functions as an S-mode select switch for the S1 channel. The S mode is selected when the pin voltage is DC opened. The signal fed into this pin is presented to C_{out} directly and to V_{out}1 after being combined with the Y_{in}S1 signal.</p> <p>The input dynamic range of this pin is 2.0V_{p-p} and the input resistance is 30kΩ.</p>	

PIN No.	NAME	FUNCTION	INTERFACE CIRCUIT
13	L _{in} S2	<p>This pin is for input a left audio signal from an external source (S2 channel). The signal fed into this pin is presented to L_{out}1.</p> <p>The input dynamic range of this pin is 6.5V_{p-p} and the input resistance is 70kΩ.</p>	
14	Y/V _{in} S2	<p>This pin is for input a luminance signal or composite audio signal from an external source (S2 channel). The signal fed into this pin is presented to V_{out}1, Y_{out} and C_{out}.</p> <p>The input dynamic range of this pin is 2.0V_{p-p} and the input resistance is 30kΩ.</p>	
15	R _{in} S2	<p>This pin is for input a right audio signal from an external source (S2 channel). The signal fed into this pin is presented to R_{out}1.</p> <p>The input dynamic range of this pin is 6.5V_{p-p} and the input resistance is 70kΩ.</p>	
16	C _{in} S2	<p>This pin is for input a chroma signal from an external source (S2 channel). It also functions as an S-mode select switch for the S2 channel. The S mode is selected when the pin voltage is DC opened. The signal fed into this pin is presented to C_{out} directly and to V_{out}1 after being combined with the Y_{in}S2 signal.</p> <p>The input dynamic range of this pin is 2.0V_{p-p} and the input resistance is 30kΩ.</p>	

PIN No.	NAME	FUNCTION	INTERFACE CIRCUIT
17	I/O1	<p>This is an ADC input/DAC output pin.</p> <p>The ADC is a 4-level detection type (2 bits). The threshold levels are 8.0V, 3.0V, and 0.75V.</p> <p>The DAC (1bit) is an open-collector output. Make sure that the current flowing into this pin is 2.0mA or less.</p>	
18	I/O2	<p>This is an ADC input/DAC output pin.</p> <p>The ADC is a 4-level detection type (2 bits). The threshold levels are 8.0V, 3.0V, and 0.75V.</p> <p>The DAC (1bit) is an open-collector output. Make sure that the current flowing into this pin is 2.0mA or less.</p>	
19	GND	<p>This is the GND pin.</p>	<p style="text-align: center;">—</p>
20	SCL	<p>This pin is for input an I²C bus clock. The input threshold level of this pin is 2.25V.</p>	
21	SDA	<p>This is an I²C bus data input/output pin. The input threshold level of this pin is 2.25V.</p> <p>Make sure that the current flowing into this pin is 3.0mA or less.</p>	

PIN No.	NAME	FUNCTION	INTERFACE CIRCUIT
22	Sync out	<p>This pin is for output a self-diagnostic sync signal. The signal separated from V_{inTV}, V_{inV1}, V_{inV2}, Y/V_{inS1}, V_{out1}, Y_{out} or C_{out} is outputted from this pin. In addition, the signal derived from L_{out1} or R_{out1} is also output from this pin for use in audio block diagnosis. This is an open-collector output. Make sure that the current flowing into this pin is 2.0mA or less.</p>	
23	Address	<p>This is for an I²C bus slave address select switch. The threshold level of this pin is 2.25V. The following lists the addresses :</p> <p>High : 92H (Write), 93H (Read)</p> <p>Low : 90H (Write), 91H (Read)</p>	
24	V_{inV2}	<p>This pin is for input a composite video signal from an external source (V2 channel). This pin can also be used for PIP signal input. The signal fed into this pin is presented to V_{out1}, Y_{out}, and C_{out}. The same signal is also output from Det Select as a sync separation signal. The input dynamic range of this pin is 2.0V_{p-p} and the input resistance is 30kΩ.</p>	
25	L_{inV2}	<p>This pin is for input a left audio signal from an external source (V2 channel). This pin can also be used for PIP signal input. The signal fed into this pin is presented to L_{out1}. The input dynamic range of this pin is 6.5V_{p-p} and the input resistance is 70kΩ.</p>	

PIN No.	NAME	FUNCTION	INTERFACE CIRCUIT
26	Y_{in}	<p>This pin is for input a luminance signal from an external comb filter. The signal fed into this pin is presented to Y_{out}. The input dynamic range of this pin is $5.5V_{p-p}$ and the input resistance is $60k\Omega$.</p>	
27	R_{inV2}	<p>This pin is for input a right audio signal from an external source (V2 channel). This pin can also be used for PIP signal input. The signal fed into this pin is presented to R_{out1}. The input dynamic range of this pin is $6.5V_{p-p}$ and the input resistance is $70k\Omega$.</p>	
28	C_{in}	<p>This pin is for input a chroma signal from an external comb filter. The signal fed into this pin is presented to C_{out}. The input dynamic range of this pin is $5.5V_{p-p}$ and the input resistance is $60k\Omega$. This pin also functions as a audio mute switch. The entire audio output can be muted by pulling the voltage on this pin below $2.25V$.</p>	
29	V_{CC}	<p>This is the power supply pin. Apply $9V$ to this pin. The current consumption of this pin is $47mA$.</p>	<p style="text-align: center;">—</p>
30	C_{out}	<p>This pin is for output a chroma signal. The signal fed into C_{in}, C_{inS1}, C_{inS2}, V_{inV1}, V_{inV2}, Y/V_{inS1}, Y/V_{inS2}, or V_{inTV} is outputted from this pin. The output resistance of this pin is 25Ω. The same signal is also outputted from Det Select as a sync separation signal.</p>	

PIN No.	NAME	FUNCTION	INTERFACE CIRCUIT
31	R _{out1}	<p>This pin is for output the main channel right audio signal. The signal fed into R_{in}V1, R_{in}V2, R_{in}S1, R_{in}S2, or R_{in}TV is outputted from this pin. The output resistance of this pin is 45Ω.</p> <p>Furthermore, the signal outputted from this pin is pulse-converted for use in self-diagnosis. The converted signal is outputted from Sync Out. This outputted can be muted independently of L_{out1} by bus control.</p>	
32	Y _{out}	<p>This pin is for output a luminance signal. The signal fed into Y_{in}, Y/V_{in}S1, Y/V_{in}S2, V_{in}V1, V_{in}V2, or V_{in}TV is outputted from this pin. The output resistance of this pin is 25Ω.</p> <p>The same signal is also outputted from Det Select as a sync separation signal.</p>	
33	L _{out1}	<p>This pin is for output the main channel left audio signal. The signal fed into L_{in}V1, L_{in}V2, L_{in}S1, L_{in}S2, or L_{in}TV is outputted from this pin. The output resistance of this pin is 45Ω.</p> <p>Furthermore, the signal outputted from this pin is pulse-converted for use in self-diagnosis. The converted signal is outputted from Sync Out. This output can be muted independently of R_{out1} by bus control.</p>	

PIN No.	NAME	FUNCTION	INTERFACE CIRCUIT
34	V _{out1}	<p>This pin is for output the main channel composite video signal. The signal fed into V_{inTV}, V_{inV1}, V_{inV2}, V_{inS1}, V_{inS2}, Y_{inS1} + C_{inS1}, or Y_{inS2} + C_{inS2} is outputted from this pin. The output resistance of this pin is 25Ω.</p> <p>The same signal is also outputted from Det Select as a sync separation signal.</p>	
35	R _{outTV}	<p>This pin is for output only the signal that is forwarded from R_{inTV}. The output resistance of this pin is 45Ω. This output can be muted in combination with L_{outTV} by bus control.</p>	
36	L _{outTV}	<p>This pin is for output only the signal that is forwarded from L_{inTV}. The output resistance of this pin is 45Ω. This output can be muted in combination with R_{outTV} by bus control.</p>	

BUS DATA SPECIFICATIONS

Data structure

(1) Write

S	Slave address (90H or 92H)	W (0)	A	Data 1	A	Data 2	A	Data 3	A	P
---	-------------------------------	----------	---	--------	---	--------	---	--------	---	---

(2) Read

S	Slave address (91H or 93H)	R (1)	A	Data 4	A	P
---	-------------------------------	----------	---	--------	---	---

* Slave address is switched by the voltage applied to pin 27 (address). Switched to 90H when low (GND) ; switched to 92H when high (V_{CC}) during write mode.

Contents of data

MODE	DATA No.	CONTENTS OF DATA							
Write	Data 1 [F0H]	B07	B06	B05	B04	B03	B02	B01	B00
		Audio mute				Forced TV Audio	YC output switching		
		LoutTV RoutTV	/	Rout1	Lout1			Yout	Cout
	Data 2 [1FH]	B17	B16	B15	B14	B13	B12	B11	B10
		Sync detection sensitivity switching	Sync output switching	Sync (diagnosis) detection switching			Input select (Main)		
Data 3 [07H]	B27	B26	B25	B24	B23	B22	B21	B20	
	DAC output switching								
	/	/	/	I/O2	I/O1				
Read	Data 4	B37	B36	B35	B34	B33	B32	B31	B30
		ADC input discrimination					S input discrimination		Power-on reset
		/	I/O2 Hi	I/O2 Low	I/O1 Hi	I/O1 Low	CinS1	CinS2	

(Note) Shown in [] are reset data.

(Note) The data contents marked by a slash (/) are an unused bit (data free).

Video select

MODE		OUTPUT SIGNAL V_{out1}	S INPUT DISCRIMINATION		BUS DATA		
INPUT	S/V		CS1	CS2	INPUT SELECT (MAIN)		
					B12	B11	B10
S1	V	Y/V_{inS1}	Low	*	0	0	0
	S	$Y/V_{inS1} + C_{inS1}$	Open				
	FV	Y/V_{inS1}					
S2	V	Y/V_{inS2}	*	Low	0	1	0
	S	$Y/V_{inS2} + C_{inS2}$		Open			
	FV	Y/V_{inS2}					
V1	V	V_{inV1}	*	*	1	0	1
V2	V	V_{inV2}	*	*	1	1	0
TV	V	V_{inTV}	*	*	1	1	1

Do not use [100] for the input select data.

L/R select

MODE	MAIN L/R OUTPUT SIGNAL		FORCED TV VOICE B03	BUS DATA		
	L_{out1}	R_{out1}		INPUT SELECT (MAIN)		
INPUT				B12	B11	B10
S1	L_{inS1}	R_{inS1}	0	0	0	*
S2	L_{inS2}	R_{inS2}		0	1	*
V1	L_{inV1}	R_{inV1}		1	0	1
V2	L_{inV2}	R_{inV2}		1	1	0
TV	L_{inTV}	R_{inTV}		1	1	1
TV	L_{inTV}	R_{inTV}	1	*	*	*

Do not use [100] for the input select data.

Y output select

MODE		Y OUTPUT SIGNAL	MAIN V SELECT MODE (SEE TABLE 2-2.)		BUS DATA Y OUTPUT SWITCHING
INPUT	THROUGH	Y _{out}			B01
S1	Y _{in}	Y _{in}	S1	V or FV	0
	V through	Y/V _{in} S1		S	1
	Y through	Y/V _{in} S1			*
S2	Y _{in}	Y _{in}	S2	V or FV	0
	V through	Y/V _{in} S2		S	1
	Y through	Y/V _{in} S2			*
V1	Y _{in}	Y _{in}	V1	V	0
	V through	V _{in} V1			1
V2	Y _{in}	Y _{in}	V2	V	0
	V through	V _{in} V2			1
TV	Y _{in}	Y _{in}	TV	V	0
	V through	V _{in} TV			1

C output select

MODE		Y OUTPUT SIGNAL	MAIN V SELECT MODE (SEE TABLE 2-2.)		BUS DATA C OUTPUT SWITCHING
INPUT	THROUGH	C _{out}			B00
S1	C _{in}	C _{in}	S1	V or FV	0
	V through	Y/V _{in} S1		S	1
	C through	C _{in} S1			*
S2	C _{in}	C _{in}	S2	V or FV	0
	V through	Y/V _{in} S2		S	1
	C through	C _{in} S2			*
V1	C _{in}	C _{in}	V1	V	0
	V through	V _{in} V1			1
V2	C _{in}	C _{in}	V2	V	0
	V through	V _{in} V2			1
TV	C _{in}	C _{in}	TV	V	0
	V through	V _{in} TV			1

Sync detection select

MODE		DETECTION SELECT	SYNC OUTPUT	BUS DATA			
				SYNC SWITCHING	SYNC DETECTION SWITCHING		
		DET SELECT	SYNC OUT	B16	B15	B14	B13
Video Input	TV	V _{in} TV	Sync	0	0	1	1
	V1	V _{in} V1				0	1
	V2	V _{in} V2				1	0
	S1	Y/V _{in} S1				0	0
Video Output	V _{out} 1	V _{out} 1	Sync	0	1	1	1
	△	—				0	1
	Y _{out}	Y _{out}				1	0
	C _{out}	C _{out}				0	0
Audio Output	R _{out} 1	★	R _{out} 1	1	*	1	1
	L _{out} 1	★	L _{out} 1			0	1
	△	★	R _{out} 2			1	0
	△	★	L _{out} 2			0	0

(Note 1) For Det Select marked by ★, the video input or video output corresponding to data B15, B14, and B13 is selected.

(Note 2) Don't use the data marked by △.

Sync detection sensitivity switching

MODE		BUS DATA
		DETECTION SENSITIVITY SWITCHING
		B17
Sensitivity	High	1
	Low	0

Audio mute

MODE		BUS DATA			
		AUDIO MUTE			
OUTPUT	MUTE	B07	B06	B05	B04
Lout1	off	*	*	*	0
	on				1
Rout1	off	*	*	0	*
	on			1	
LoutTV	off	0	*	*	*
RoutTV	on	1			

DAC output switching

MODE		BUS DATA	
		DAC OUTPUT SWITCHING	
OUTPUT	STATE	B24	B23
I/O1	Open	*	0
	Low		1
I/O2	Open	0	*
	Low	1	

Read mode

Power-on reset discrimination

MODE		BUS DATA	
		POWER-ON RESET	
		B30	
Reset	on	1	
	off	0	

S input discrimination

MODE		BUS DATA	
		S INPUT DISCRIMINATION	
INPUT	VOLTAGE	B32	B31
C _{in} S2	High (Open)	*	1
	Low		0
C _{in} S1	High (Open)	1	*
	Low	0	

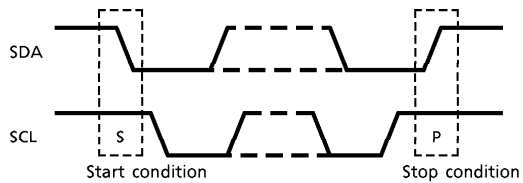
ADC input discrimination

MODE		BUS DATA				
		ADC INPUT DISCRIMINATION				
INPUT	VOLTAGE	B37	B36	B35	B34	B33
I/O1	High	*	*	*	0	0
	Mid				1	0
	Low				0	1
	Bottom				1	1
I/O2	High	*	0	0	*	*
	Mid		1	0		
	Low		0	1		
	Bottom		1	1		

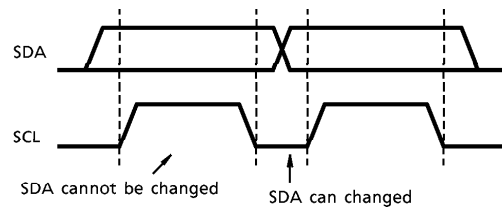
I²C BUS CONTROLLED FORMAT SUMMARY

Bus controlled format of TA1219AN is based on I²C BUS control format of Philips.

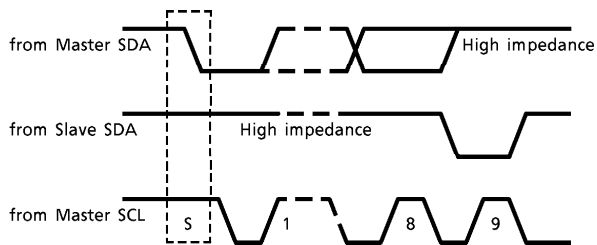
(1) Start and stop condition



(2) Bit transfer



(3) Acknowledge

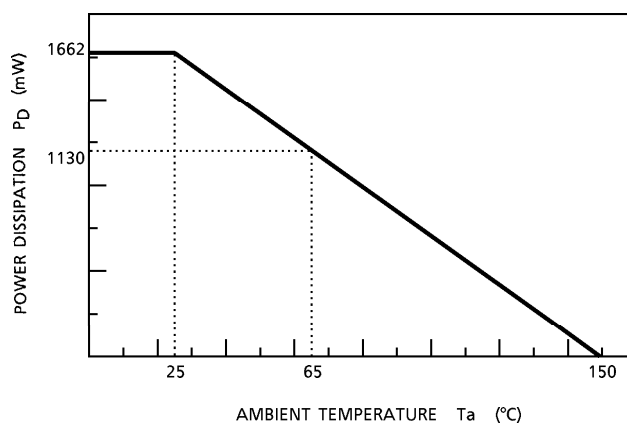


Purchase of TOSHIBA I²C components conveys a license under the Philips I²C Patent Rights to use these components in an I²C system, provided that the system conforms to the I²C Standard Specification as defined by Philips.

MAXIMUM RATINGS

CHARACTERISTIC	SYMBOL	RATING	UNIT
Supply Voltage	V _{CC}	14	V
Power Dissipation	P _{DMAX}	1662 (Note)	mW
Operating Temperature	T _{opr}	-20~65	°C
Storage Temperature	T _{stg}	-55~150	°C

(Note) When using the device at temperatures above Ta = 25°C, reduce the rated power dissipation by 13.3mW per degree of centigrade. (See the diagram below.)



RECOMMENDED OPERATING CONDITIONS

CHARACTERISTIC	PIN No.	MIN.	TYP.	MAX.	UNIT	REMARK
Supply Voltage	29	8.1	9.0	9.9	V	—
Composite Signal Input Amplitude	5, 8, 10, 14, 24	—	1.0	—	V _{p-p}	100IRE
Y Input Amplitude	10, 14	—	1.0	—	V _{p-p}	100IRE
Comb Y Input Amplitude	26	—	2.0	—	V _{p-p}	—
Chroma Input Amplitude	12, 16	—	286	—	mV _{p-p}	Burst
Comb Chroma Input Amplitude	28	—	572	—	mV _{p-p}	Burst
Audio Input Amplitude	3, 4, 6, 7, 9, 11, 13, 15, 25, 27	—	—	6.0	V _{p-p}	—

ELECTRICAL CHARACTERISTICS(Referenced to $V_{CC} = 9V$ at $T_a = 25^\circ C$ unless otherwise specified.)

Current consumption

PIN No.	PIN NAME	SYMBOL	TEST CIR-CUIT	MIN.	TYP.	MAX.	UNIT
29	V_{CC}	I_{CC}	—	30	47	64	mA

Pin voltage

PIN No.	PIN NAME	SYMBOL	TEST CIR-CUIT	MIN.	TYP.	MAX.	UNIT
1	Det in	V1	—	6.3	6.6	6.9	V
2	Det Select	V2	—	3.4	3.7	4.0	V
3	L_{inTV}	V3	—	5.0	5.2	5.4	V
4	R_{inTV}	V4	—	5.0	5.2	5.4	V
5	V_{inTV}	V5	—	5.0	5.2	5.4	V
6	L_{inV1}	V6	—	5.0	5.2	5.4	V
7	R_{inV1}	V7	—	5.0	5.2	5.4	V
8	V_{inV1}	V8	—	5.0	5.2	5.4	V
9	L_{inS1}	V9	—	5.0	5.2	5.4	V
10	Y/V_{inS1}	V10	—	5.0	5.2	5.4	V
11	R_{inS1}	V11	—	5.0	5.2	5.4	V
12	C_{inS1}	V12	—	5.0	5.2	5.4	V
13	L_{inS2}	V13	—	5.0	5.2	5.4	V
14	Y/V_{inS2}	V14	—	5.0	5.2	5.4	V
15	R_{inS2}	V15	—	5.0	5.2	5.4	V
16	C_{inS2}	V16	—	5.0	5.2	5.4	V
19	GND	V19	—	—	0	—	V
24	V_{inV2}	V24	—	5.0	5.2	5.4	V
25	L_{inV2}	V25	—	5.0	5.2	5.4	V
26	Y_{in}	V26	—	5.0	5.2	5.4	V
27	R_{inV2}	V27	—	5.0	5.2	5.4	V
28	C_{in}	V28	—	5.0	5.2	5.4	V
29	V_{CC}	V29	—	—	9.0	—	V
30	C_{out}	V30	—	3.5	3.8	4.1	V
31	R_{out1}	V31	—	3.7	4.0	4.3	V
32	Y_{out}	V32	—	3.5	3.8	4.1	V
33	L_{out1}	V33	—	3.7	4.0	4.3	V
34	V_{out1}	V34	—	4.1	4.4	4.7	V
35	R_{outTV}	V35	—	3.7	4.0	4.3	V
36	L_{outTV}	V36	—	3.7	4.0	4.3	V

DC CHARACTERISTICS

CHARACTERISTIC	MEASURED PIN	SYMBOL	TEST CIR-CUIT	MIN.	TYP.	MAX.	UNIT	REMARK
Input Pin Input Resistance	Det in	R1	—	10	18	30	kΩ	Measure a change ΔI in the current flowing into each pin when the voltage is raised by 0.5V. Then calculate the input resistance value R. $R = 0.5V / \Delta I$ [Ω]
	V _{inTV}	R5	—	20	30	40	kΩ	
	V _{inV1}	R8	—	20	30	40	kΩ	
	V _{inV2}	R24	—	20	30	40	kΩ	
	Y / V _{inS1}	R10	—	20	30	40	kΩ	
	Y / V _{inS2}	R14	—	20	30	40	kΩ	
	C _{inS1}	R12	—	20	30	40	kΩ	
	C _{inS2}	R16	—	20	30	40	kΩ	
	Y _{in}	R26	—	40	60	80	kΩ	
	C _{in}	R28	—	40	60	80	kΩ	
	L _{inTV}	R3	—	49	70	100	kΩ	
	R _{inTV}	R4	—	49	70	100	kΩ	
	L _{inV1}	R6	—	49	70	100	kΩ	
	R _{inV1}	R7	—	49	70	100	kΩ	
	L _{inV2}	R25	—	49	70	100	kΩ	
	R _{inV2}	R27	—	49	70	100	kΩ	
	L _{inS1}	R9	—	49	70	100	kΩ	
	R _{inS1}	R11	—	49	70	100	kΩ	
L _{inS2}	R13	—	49	70	100	kΩ		
R _{inS2}	R15	—	49	70	100	kΩ		
Output Pin Output Resistance	Det Select	R2	—	17	35	53	Ω	Measure a voltage change ΔV on each pin when a current of 100μA flows into the pin. Then calculate the output resistance value R. $R = \Delta V / 100\mu A$ [Ω]
	V _{out1}	R34	—	13	25	50	Ω	
	Y _{out}	R32	—	13	25	50	Ω	
	C _{out}	R30	—	13	25	50	Ω	
	L _{outTV}	R36	—	20	45	90	Ω	
	R _{outTV}	R35	—	20	45	90	Ω	
	L _{out1}	R33	—	20	45	90	Ω	
R _{out1}	R31	—	20	45	90	Ω		
S Mode Discrimination Voltage	C _{inS1}	VthC1	—	1.75	2.25	2.75	V	Voltage on pin 12 at which data B31 changes.
	C _{inS2}	VthC2	—	1.75	2.25	2.75	V	Voltage on pin 16 at which data B32 changes.
External Mute ON Voltage	C _{in}	VthM	—	1.75	2.25	2.75	V	Voltage on pin 28 at which voice is muted.

CHARACTERISTIC	MEASURED PIN	SYMBOL	TEST CIRCUIT	MIN.	TYP.	MAX.	UNIT	REMARK
Address Switching Voltage	address	VthA	—	1.75	2.25	2.75	V	Voltage on pin 23 at which the slave address changes.
ADC Input Discrimination Voltage	I/O1	Vth1L	—	0.55	0.75	0.95	V	Low-Bottom threshold level of I/O1 input (pin 17).
	I/O1	Vth1M	—	2.5	3.0	3.5	V	Mid-Low threshold level of I/O1 input (pin 17).
	I/O1	Vth1H	—	7.5	8.0	8.5	V	High-Mid threshold level of I/O1 input (pin 17).
	I/O2	Vth2L	—	0.55	0.75	0.95	V	Low-Bottom threshold level of I/O2 input (pin 18).
	I/O2	Vth2M	—	2.5	3.0	3.5	V	Mid-Low threshold level of I/O2 input (pin 18).
	I/O2	Vth2H	—	7.5	8.0	8.5	V	High-Mid threshold level of I/O2 input (pin 18).

AC CHARACTERISTICS

CHARACTERISTIC	SELECT MODE	SYMBOL	TEST CIRCUIT	MIN.	TYP.	MAX.	UNIT	TEST METHOD
V_{out1} Input Dynamic Range	V_{inTV}	VDR5V1	—	1.5	2.0	—	V_{p-p}	(1) Apply a 15kHz sine wave to each input pin. (2) In each select mode, measure an input amplitude at which the output waveform on pin 34 begins to be distorted.
	V_{inV1}	VDR8V1	—	1.5	2.0	—	V_{p-p}	
	V_{inV2}	VDR24V1	—	1.5	2.0	—	V_{p-p}	
	Y/V_{inS1}	VDR10V1	—	1.5	2.0	—	V_{p-p}	
	C_{inS1}	VDR12V1	—	1.5	2.0	—	V_{p-p}	
	Y/V_{inS2}	VDR14V1	—	1.5	2.0	—	V_{p-p}	
	C_{inS2}	VDR16V1	—	1.5	2.0	—	V_{p-p}	
V_{out1} Gain	V_{inTV}	G5V1	—	5.5	6.0	6.5	dB	(1) Apply a 15kHz, 1.0 V_{p-p} sine wave to each input pin. (2) In each select mode, find the gain between input and output.
	V_{inV1}	G8V1	—	5.5	6.0	6.5	dB	
	V_{inV2}	G24V1	—	5.5	6.0	6.5	dB	
	Y/V_{inS1}	G10V1	—	5.5	6.0	6.5	dB	
	C_{inS1}	G12V1	—	5.5	6.0	6.5	dB	
	Y/V_{inS2}	G14V1	—	5.5	6.0	6.5	dB	
	C_{inS2}	G16V1	—	5.5	6.0	6.5	dB	
V_{out1} Frequency Response	V_{inTV}	F5V1	—	10	—	—	MHz	(1) Apply a 1.0 V_{p-p} sine wave to each input pin. (2) In each select mode, measure a frequency at which the output amplitude on pin 34 is 3dB down from the 15kHz applied level.
	V_{inV1}	F8V1	—	10	—	—	MHz	
	V_{inV2}	F24V1	—	10	—	—	MHz	
	Y/V_{inS1}	F10V1	—	10	—	—	MHz	
	C_{inS1}	F12V1	—	10	—	—	MHz	
	Y/V_{inS2}	F14V1	—	10	—	—	MHz	
	C_{inS2}	F16V1	—	10	—	—	MHz	
V_{out1} Crosstalk	V_{inTV}	CT5V1	—	55	60	—	dB	(1) Apply a 3.58MHz, 1.0 V_{p-p} sine wave to each input pin. (2) In each select mode, compare signal output from the selected pin with leakage components from nonselected pins to find a crosstalk.
	V_{inV1}	CT8V1	—	55	60	—	dB	
	V_{inV2}	CT24V1	—	55	60	—	dB	
	Y/V_{inS1}	CT10V1	—	55	60	—	dB	
	C_{inS1}	CT12V1	—	55	60	—	dB	
	Y/V_{inS2}	CT14V1	—	55	60	—	dB	
	C_{inS2}	CT16V1	—	55	60	—	dB	
Y_{out} Input Dynamic Range	V_{inTV}	VDR5Y	—	1.5	2.0	—	V_{p-p}	(1) Apply a 15kHz sine wave to each input pin. (2) In each select mode, measure an input amplitude at which the output waveform on pin 32 begins to be distorted.
	V_{inV1}	VDR8Y	—	1.5	2.0	—	V_{p-p}	
	V_{inV2}	VDR24Y	—	1.5	2.0	—	V_{p-p}	
	Y/V_{inS1}	VDR10Y	—	1.5	2.0	—	V_{p-p}	
	Y/V_{inS2}	VDR14Y	—	1.5	2.0	—	V_{p-p}	
	Y_{in}	VDR26Y	—	5.0	5.5	—	V_{p-p}	

CHARACTERISTIC	SELECT MODE	SYMBOL	TEST CIRCUIT	MIN.	TYP.	MAX.	UNIT	TEST METHOD
Y _{out} Gain	V _{in} TV	G5Y	—	5.5	6.0	6.5	dB	(1) Apply a 15kHz, 1.0V _{p-p} sine wave to each input pin. (2) In each select mode, find the gain between input and output.
	V _{in} V1	G8Y	—	5.5	6.0	6.5	dB	
	V _{in} V2	G24Y	—	5.5	6.0	6.5	dB	
	Y/V _{in} S1	G10Y	—	5.5	6.0	6.5	dB	
	Y/V _{in} S2	G14Y	—	5.5	6.0	6.5	dB	
	Y _{in}	G26Y	—	-0.5	0	0.5	dB	
Y _{out} Frequency Response	V _{in} TV	F5Y	—	10	—	—	MHz	(1) Apply a 1.0V _{p-p} sine wave to each input pin. (2) In each select mode, measure a frequency at which the output amplitude on pin 32 is 3dB down from the 15kHz applied level.
	V _{in} V1	F8Y	—	10	—	—	MHz	
	V _{in} V2	F24Y	—	10	—	—	MHz	
	Y/V _{in} S1	F10Y	—	10	—	—	MHz	
	Y/V _{in} S2	F14Y	—	10	—	—	MHz	
	Y _{in}	F26Y	—	10	—	—	MHz	
Y _{out} Crosstalk	V _{in} TV	CT5Y	—	55	60	—	dB	(1) Apply a 3.58MHz, 1.0V _{p-p} sine wave to each input pin. (2) In each select mode, compare signal output from the selected pin with leakage components from nonselected pins to find a crosstalk.
	V _{in} V1	CT8Y	—	55	60	—	dB	
	V _{in} V2	CT24Y	—	55	60	—	dB	
	Y/V _{in} S1	CT10Y	—	55	60	—	dB	
	Y/V _{in} S2	CT14Y	—	55	60	—	dB	
	Y _{in}	CT26Y	—	55	60	—	dB	
C _{out} Input Dynamic Range	V _{in} TV	VDR5C	—	1.5	2.0	—	V _{p-p}	(1) Apply a 15kHz sine wave to each input pin. (2) In each select mode, measure an input amplitude at which the output waveform on pin 30 begins to be distorted.
	V _{in} V1	VDR8C	—	1.5	2.0	—	V _{p-p}	
	V _{in} V2	VDR24C	—	1.5	2.0	—	V _{p-p}	
	Y/V _{in} S1	VDR10C	—	1.5	2.0	—	V _{p-p}	
	C _{in} S1	VDR12C	—	1.5	2.0	—	V _{p-p}	
	Y/V _{in} S2	VDR14C	—	1.5	2.0	—	V _{p-p}	
	C _{in} S2	VDR16C	—	1.5	2.0	—	V _{p-p}	
	C _{in}	VDR28C	—	5.0	5.5	—	V _{p-p}	
C _{out} Gain	V _{in} TV	G5C	—	5.5	6.0	6.5	dB	(1) Apply a 15kHz, 1.0V _{p-p} sine wave to each input pin. (2) In each select mode, find the gain between input and output.
	V _{in} V1	G8C	—	5.5	6.0	6.5	dB	
	V _{in} V2	G24C	—	5.5	6.0	6.5	dB	
	Y/V _{in} S1	G10C	—	5.5	6.0	6.5	dB	
	C _{in} S1	G12C	—	5.5	6.0	6.5	dB	
	Y/V _{in} S2	G14C	—	5.5	6.0	6.5	dB	
	C _{in} S2	G16C	—	5.5	6.0	6.5	dB	
	C _{in}	G28C	—	-0.5	0	0.5	dB	

CHARACTERISTIC	SELECT MODE	SYMBOL	TEST CIRCUIT	MIN.	TYP.	MAX.	UNIT	TEST METHOD
C _{out} Frequency Response	V _{in} TV	F5C	—	10	—	—	MHz	(1) Apply a 1.0V _{p-p} sine wave to each input pin. (2) In each select mode, measure a frequency at which the output amplitude on pin 30 is 3dB down from the 15kHz applied level.
	V _{in} V1	F8C	—	10	—	—	MHz	
	V _{in} V2	F24C	—	10	—	—	MHz	
	Y/V _{in} S1	F10C	—	10	—	—	MHz	
	C _{in} S1	F12C	—	10	—	—	MHz	
	Y/V _{in} S2	F14C	—	10	—	—	MHz	
	C _{in} S2	F16C	—	10	—	—	MHz	
	C _{in}	F28C	—	10	—	—	MHz	
C _{out} Crosstalk	V _{in} TV	CT5C	—	55	60	—	dB	(1) Apply a 3.58MHz, 1.0V _{p-p} sine wave to each input pin. (2) In each select mode, compare signal output from the selected pin with leakage components from nonselected pins to find a crosstalk.
	V _{in} V1	CT8C	—	55	60	—	dB	
	V _{in} V2	CT24C	—	55	60	—	dB	
	Y/V _{in} S1	CT10C	—	55	60	—	dB	
	C _{in} S1	CT12C	—	55	60	—	dB	
	Y/V _{in} S2	CT14C	—	55	60	—	dB	
	C _{in} S2	CT16C	—	55	60	—	dB	
	C _{in}	CT28C	—	55	60	—	dB	
Det Select Input Dynamic Range	V _{in} TV	VDR5D	—	5.0	5.5	—	V	(1) Apply a 15kHz sine wave to each input pin. (2) In each select mode, measure an input amplitude at which the output waveform on pin 2 begins to be distorted.
	V _{in} V1	VDR8D	—	5.0	5.5	—	V	
	V _{in} V2	VDR24D	—	5.0	5.5	—	V	
	Y/V _{in} S1	VDR10D	—	5.0	5.5	—	V	
	V _{out} 1	VDR34D	—	1.5	2.0	—	V	
	V _{out} 2	VDR38D	—	1.5	2.0	—	V	
	C _{out}	VDR30D	—	1.2	1.8	—	V	
Det Select Gain	V _{in} TV	G5D	—	-0.5	0	0.5	dB	(1) Apply a 15kHz, 1.0V _{p-p} sine wave to each input pin. (2) In each select mode, find the gain between input and output.
	V _{in} V1	G8D	—	-0.5	0	0.5	dB	
	V _{in} V2	G24D	—	-0.5	0	0.5	dB	
	Y/V _{in} S1	G10D	—	-0.5	0	0.5	dB	
	V _{out} 1	G34D	—	-0.1	0	0.1	dB	
	Y _{out}	G32D	—	-0.1	0	0.1	dB	
	C _{out}	G30D	—	-0.1	0	0.1	dB	
L _{out} 1 Input Dynamic Range	L _{in} TV	VDR3L1	—	6.0	6.5	—	V _{p-p}	(1) Apply a 1kHz sine wave to each input pin. (2) In each select mode, measure an input amplitude at which the output waveform on pin 33 begins to be distorted.
	L _{in} V1	VDR6L1	—	6.0	6.5	—	V _{p-p}	
	L _{in} V2	VDR25L1	—	6.0	6.5	—	V _{p-p}	
	L _{in} S1	VDR9L1	—	6.0	6.5	—	V _{p-p}	
	L _{in} S2	VDR13L1	—	6.0	6.5	—	V _{p-p}	

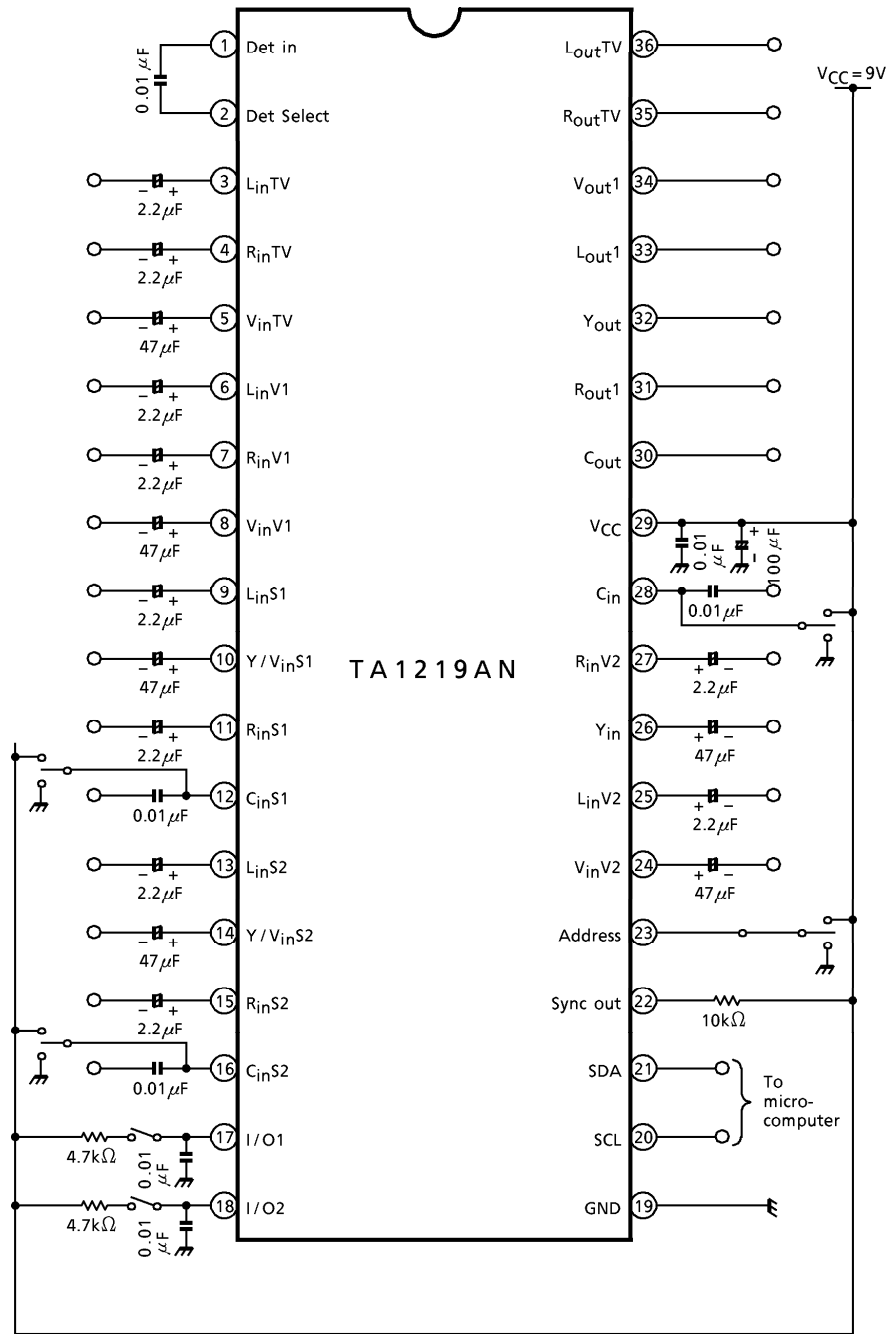
CHARACTERISTIC	SELECT MODE	SYMBOL	TEST CIR-CUIT	MIN.	TYP.	MAX.	UNIT	TEST METHOD
L _{out1} Gain	L _{inTV}	G3L1	—	-0.5	0	0.5	dB	(1) Apply a 1kHz, 1.0V _{p-p} sine wave to each input pin. (2) In each select mode, find the gain between input and output.
	L _{inV1}	G6L1	—	-0.5	0	0.5	dB	
	L _{inV2}	G25L1	—	-0.5	0	0.5	dB	
	L _{inS1}	G9L1	—	-0.5	0	0.5	dB	
	L _{inS2}	G13L1	—	-0.5	0	0.5	dB	
L _{out1} Frequency Response	L _{inTV}	F3L1	—	0.1	2.0	—	MHz	(1) Apply a 1.0V _{p-p} sine wave to each input pin. (2) In each select mode, measure a frequency at which the output amplitude on pin 33 is 3dB down from the 1 kHz applied level.
	L _{inV1}	F6L1	—	0.1	2.0	—	MHz	
	L _{inV2}	F25L1	—	0.1	2.0	—	MHz	
	L _{inS1}	F9L1	—	0.1	2.0	—	MHz	
	L _{inS2}	F13L1	—	0.1	2.0	—	MHz	
L _{out1} Crosstalk	L _{inTV}	CT3L1	—	70	100	—	dB	(1) Apply a 1kHz, 1.0V _{p-p} sine wave to each input pin. (2) In each select mode, compare signal output from the selected pin with leakage components from nonselected pins to find a crosstalk.
	L _{inV1}	CT6L1	—	70	100	—	dB	
	L _{inV2}	CT25L1	—	70	100	—	dB	
	L _{inS1}	CT9L1	—	70	100	—	dB	
	L _{inS2}	CT13L1	—	70	100	—	dB	
L _{out1} Mute Attenuation	L _{inTV}	M3L1	—	70	100	—	dB	(1) Apply a 1kHz, 1.0V _{p-p} sine wave to each input pin. (2) In each select mode, compare the output amplitudes on pin 33 when mute is turned on and turned off to find mute attenuation.
	L _{inV1}	M6L1	—	70	100	—	dB	
	L _{inV2}	M25L1	—	70	100	—	dB	
	L _{inS1}	M9L1	—	70	100	—	dB	
	L _{inS2}	M13L1	—	70	100	—	dB	
R _{out1} Input Dynamic Range	R _{inTV}	VDR4R1	—	6.0	6.5	—	V _{p-p}	(1) Apply a 1kHz sine wave to each input pin. (2) In each select mode, measure an input amplitude at which the output waveform on pin 31 begins to be distorted.
	R _{inV1}	VDR7R1	—	6.0	6.5	—	V _{p-p}	
	R _{inV2}	VDR27R1	—	6.0	6.5	—	V _{p-p}	
	R _{inS1}	VDR11R1	—	6.0	6.5	—	V _{p-p}	
	R _{inS2}	VDR15R1	—	6.0	6.5	—	V _{p-p}	

CHARACTERISTIC	SELECT MODE	SYMBOL	TEST CIR-CUIT	MIN.	TYP.	MAX.	UNIT	TEST METHOD
R _{out1} Gain	R _{inTV}	G4R1	—	-0.5	0	0.5	dB	(1) Apply a 1kHz, 1.0V _{p-p} sine wave to each input pin. (2) In each select mode, find the gain between input and output.
	R _{inV1}	G7R1	—	-0.5	0	0.5	dB	
	R _{inV2}	G27R1	—	-0.5	0	0.5	dB	
	R _{inS1}	G11R1	—	-0.5	0	0.5	dB	
	R _{inS2}	G15R1	—	-0.5	0	0.5	dB	
R _{out1} Frequency Response	R _{inTV}	F4R1	—	0.1	2.0	—	MHz	(1) Apply a 1.0V _{p-p} sine wave to each input pin. (2) In each select mode, measure a frequency at which the output amplitude on pin 31 is 3dB down from the 1kHz applied level.
	R _{inV1}	F7R1	—	0.1	2.0	—	MHz	
	R _{inV2}	F27R1	—	0.1	2.0	—	MHz	
	R _{inS1}	F11R1	—	0.1	2.0	—	MHz	
	R _{inS2}	F15R1	—	0.1	2.0	—	MHz	
R _{out1} Crosstalk	R _{inTV}	CT4R1	—	70	100	—	dB	(1) Apply a 1kHz, 1.0V _{p-p} sine wave to each input pin. (2) In each select mode, compare signal output from the selected pin with leakage components from nonselected pins to find a crosstalk.
	R _{inV1}	CT7R1	—	70	100	—	dB	
	R _{inV2}	CT27R1	—	70	100	—	dB	
	R _{inS1}	CT11R1	—	70	100	—	dB	
	R _{inS2}	CT15R1	—	70	100	—	dB	
R _{out1} Mute Attenuation	R _{inTV}	M4R1	—	70	100	—	dB	(1) Apply a 1kHz, 1.0V _{p-p} sine wave to each input pin. (2) In each select mode, compare the output amplitudes on pin 31 when mute is turned on and turned off to find mute attenuation.
	R _{inV1}	M7R1	—	70	100	—	dB	
	R _{inV2}	M27R1	—	70	100	—	dB	
	R _{inS1}	M11R1	—	70	100	—	dB	
	R _{inS2}	M15R1	—	70	100	—	dB	
L _{outTV} Input Dynamic Range	L _{inTV}	VDR3LTV	—	6.0	6.5	—	V _{p-p}	While applying a 1kHz sine wave to pin 3, measure an input amplitude at which the output waveform on pin 36 begins to be distorted.
L _{outTV} Gain	L _{inTV}	G3LTV	—	-0.5	0	0.5	dB	While applying a 1kHz, 1.0V _{p-p} sine wave to pin 3, find the gain between pins 3 and 36.

CHARACTERISTIC	SELECT MODE	SYMBOL	TEST CIR-CUIT	MIN.	TYP.	MAX.	UNIT	TEST METHOD
L_{outTV} Frequency Response	L_{inTV}	F3LTV	—	0.1	2.0	—	MHz	While applying a $1.0V_{p-p}$ sine wave to pin 3, measure a frequency at which the output waveform on pin 36 is 3dB down from the 1kHz applied level.
L_{outTV} Crosstalk	L_{inTV}	CT3LTV	—	70	100	—	dB	(1) Apply a 1kHz, $1.0V_{p-p}$ sine wave to each input pin. (2) Compare the output amplitude when L_{inTV} is selected with leakage components from nonselected pins to find a crosstalk.
	L_{inV1}	CT6LTV	—	70	100	—	dB	
	L_{inV2}	CT25LTV	—	70	100	—	dB	
	L_{inS1}	CT9LTV	—	70	100	—	dB	
	L_{inS2}	CT13LTV	—	70	100	—	dB	
L_{outTV} Mute Attenuation	L_{inTV}	M3LTV	—	70	100	—	dB	While applying a 1kHz, $1.0V_{p-p}$ sine wave to pin 3, compare the output amplitudes on pin 36 when mute is turned on and turned off to find mute attenuation.
R_{outTV} Input Dynamic Range	R_{inTV}	VDR4RTV	—	6.0	6.5	—	V_{p-p}	While applying a 1kHz sine wave to pin 4, measure an input amplitude at which the output waveform on pin 35 begins to be distorted.
R_{outTV} Gain	R_{inTV}	G4RTV	—	-0.5	0	0.5	dB	While applying a 1kHz, $1.0V_{p-p}$ sine wave to pin 4, find the gain between pins 4 and 35.
R_{outTV} Frequency Response	R_{inTV}	F4RTV	—	0.1	2.0	—	MHz	While applying a $1.0V_{p-p}$ sine wave to pin 4, measure a frequency at which the output waveform on pin 35 is 3dB down from the 1kHz applied level.

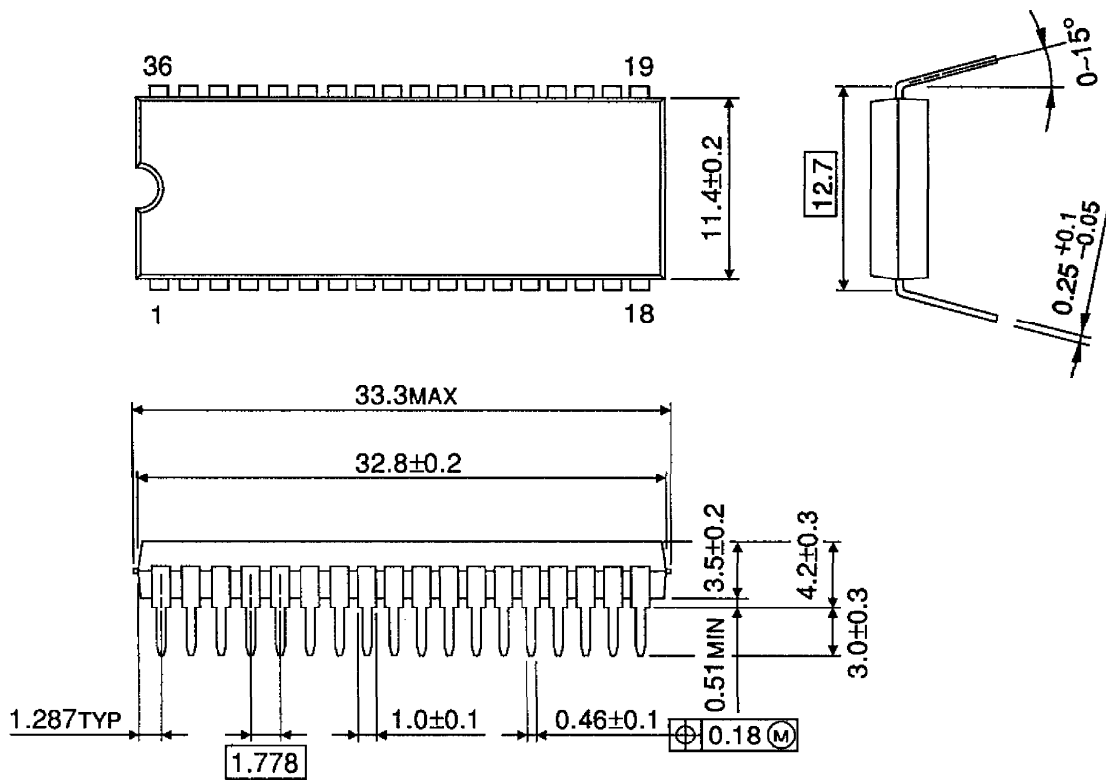
CHARACTERISTIC	SELECT MODE	SYMBOL	TEST CIR-CUIT	MIN.	TYP.	MAX.	UNIT	TEST METHOD
R _{outTV} Crosstalk	R _{inTV}	CT4RTV	—	70	100	—	dB	(1) Apply a 1kHz, 1.0V _{p-p} sine wave to each input pin. (2) Compare the output amplitude when R _{inTV} is selected with leakage components from nonselected pins to find a crosstalk.
	R _{inV1}	CT7RTV	—	70	100	—	dB	
	R _{inV2}	CT27RTV	—	70	100	—	dB	
	R _{inS1}	CT11RTV	—	70	100	—	dB	
	R _{inS2}	CT15RTV	—	70	100	—	dB	
R _{outTV} Mute Attenuation	R _{inTV}	M4RTV	—	70	100	—	dB	While applying a 1kHz, 1.0V _{p-p} sine wave to pin 4, compare the output amplitudes on pin 35 when mute is turned on and turned off to find mute attenuation.

APPLICATION CIRCUIT



OUTLINE DRAWING
SDIP36-P-500-1.78

Unit : mm



Weight : 2.98g (Typ.)